

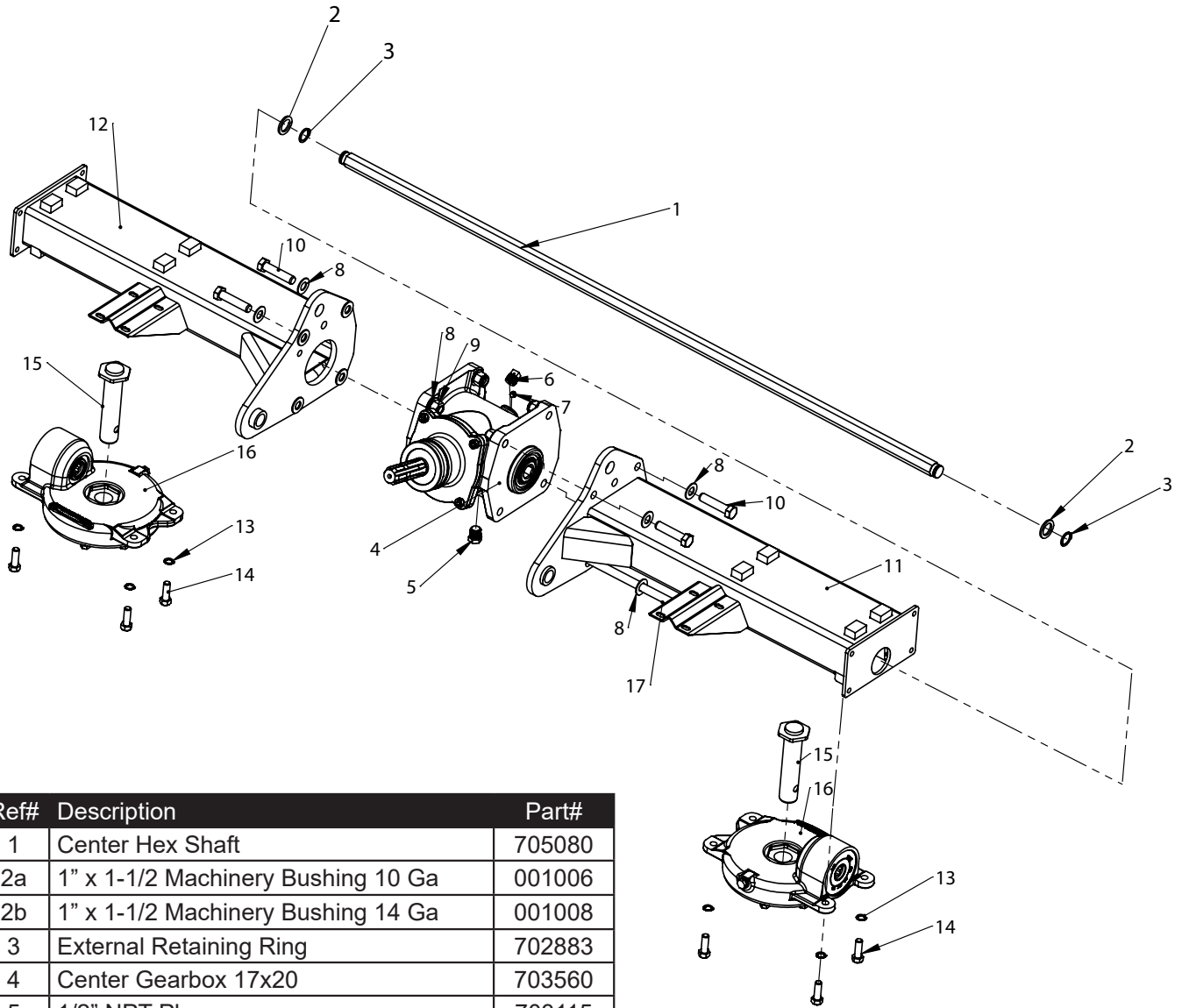


HT26X Rotary Tedder

Illustrated Parts Breakdown

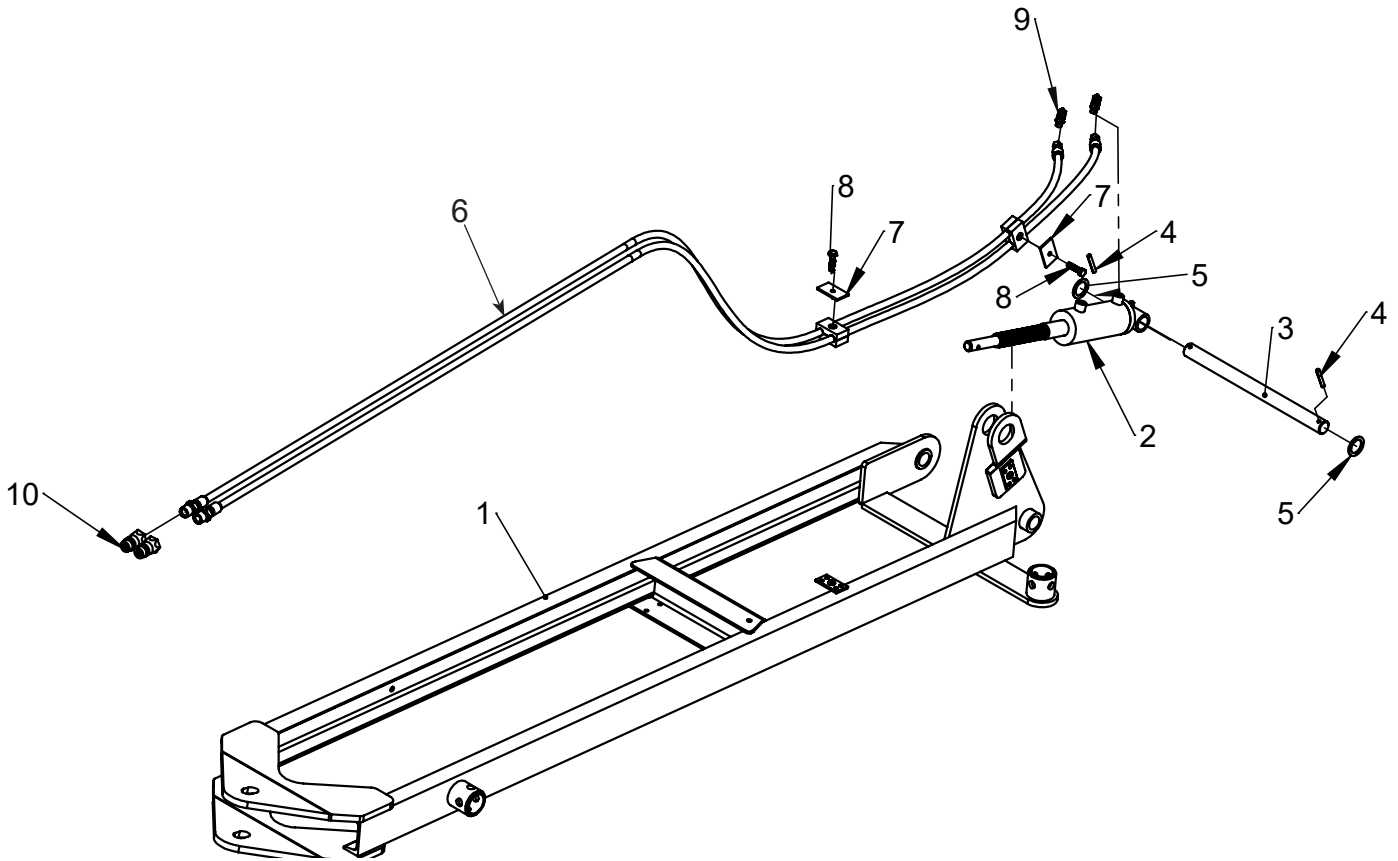
Page 1	Center Section
Page 2	Hydraulics
Page 3	Outer Guard Assembly
Page 4	Tine Rotor and Hardware
Page 5	OPS Canister
Page 6	Spindle and Wheel Hardware
Page 7	PTO Shaft
Page 8	Decals

Center Section



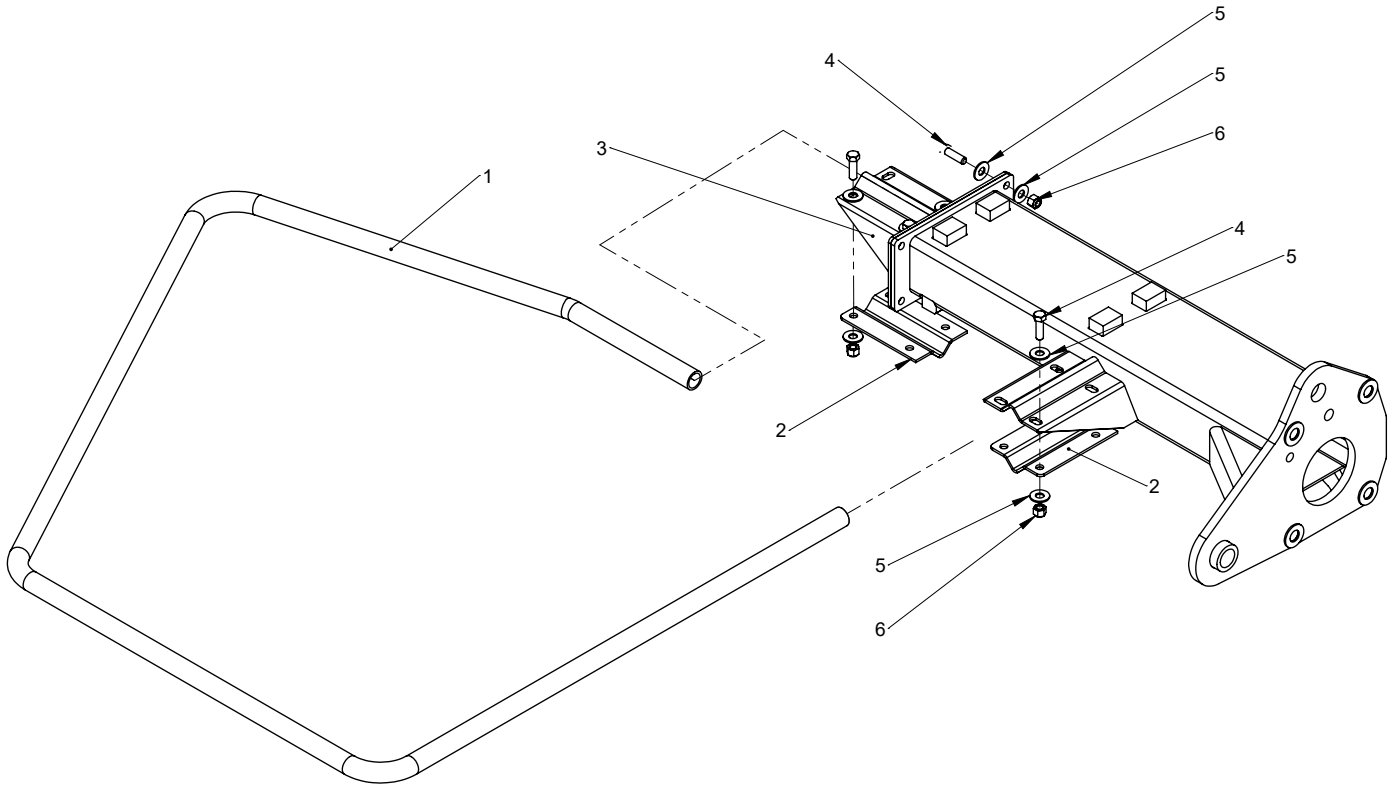
Ref#	Description	Part#
1	Center Hex Shaft	705080
2a	1" x 1-1/2 Machinery Bushing 10 Ga	001006
2b	1" x 1-1/2 Machinery Bushing 14 Ga	001008
3	External Retaining Ring	702883
4	Center Gearbox 17x20	703560
5	1/2" NPT Plug	703115
6	X100 Series Center Gearbox Breather	703116
7	Solid Hex-Socket Plug	502298
8	SAE Standard Washer	001076
9	5/8 Stover Locknut	900145
10	5/8-11 x 2 3/4 Hex Head Bolt	000623
11	26x Left Wing Weldment	704054
12	6x Right Wing Weldment	704052
13	1/2" Serrated Conical Washer	702821
14	1/2-13 x 1.50 HH Bolt Zinc	000435
15	Rotor Spindle	703761
16	6 Arm Rotor Gearbox	704020
17	1/2 - 13" x 10.5" HHB	000691

Hydraulics



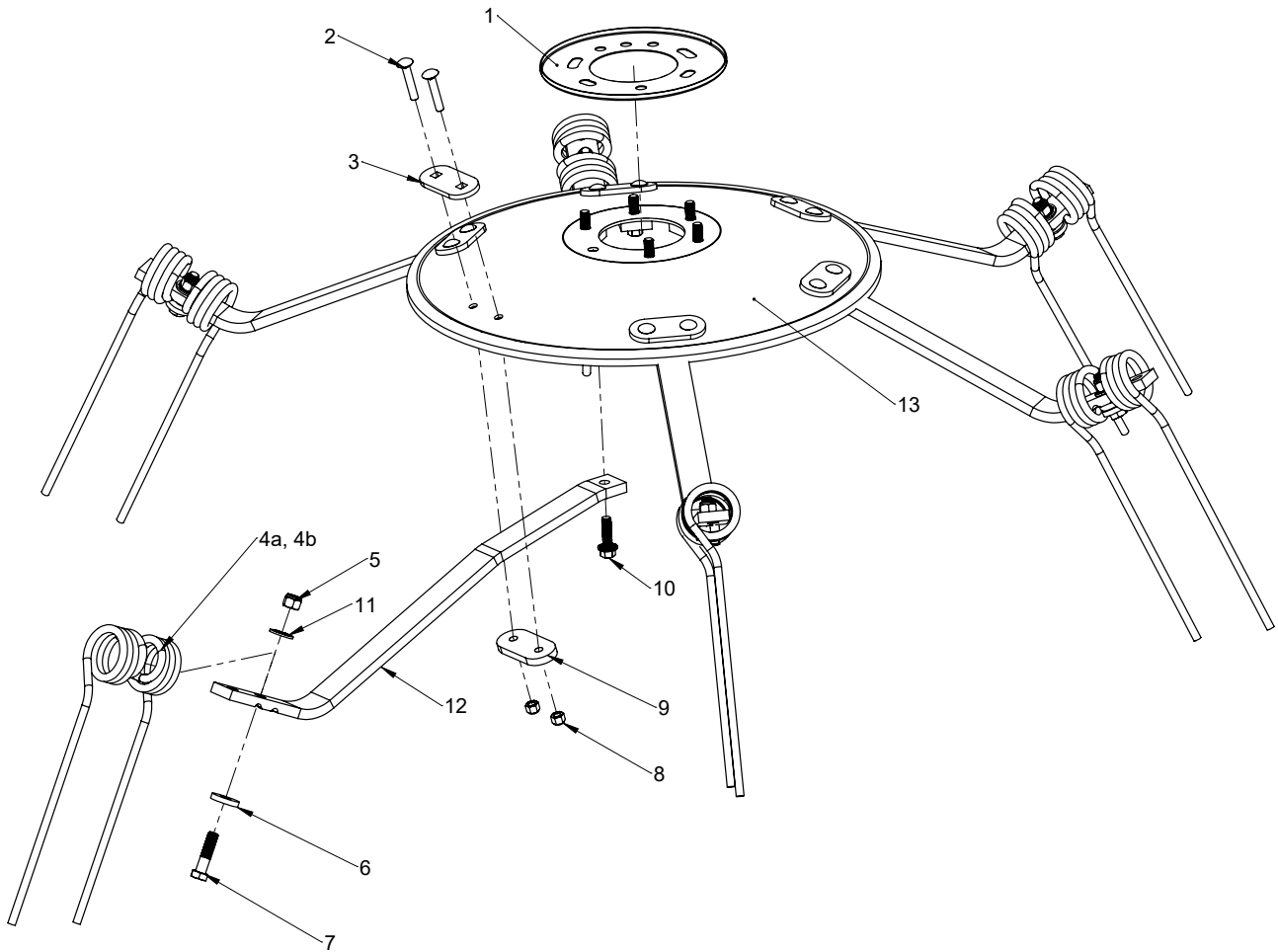
Ref#	Description	Part#
1	Toungue Weldment	705022
2	Tilt Cylinder	703604
3	Hitch Tilt Pin	705036
4	1/4 x 1 3/4 Roll Pin	500187
5	Machinery Bushing 14ga.	001008
6	Tractor Hose	701039
7	Hose Clamp Top Plate	510630
8	5/16-18 x 1-5/16 Hex Head Bolt	000229
9	90 Degree Elbow, #4 MJ x #4 MB	700948
10	1/2 Male AG Coupler	290105

Outer Guard Assembly



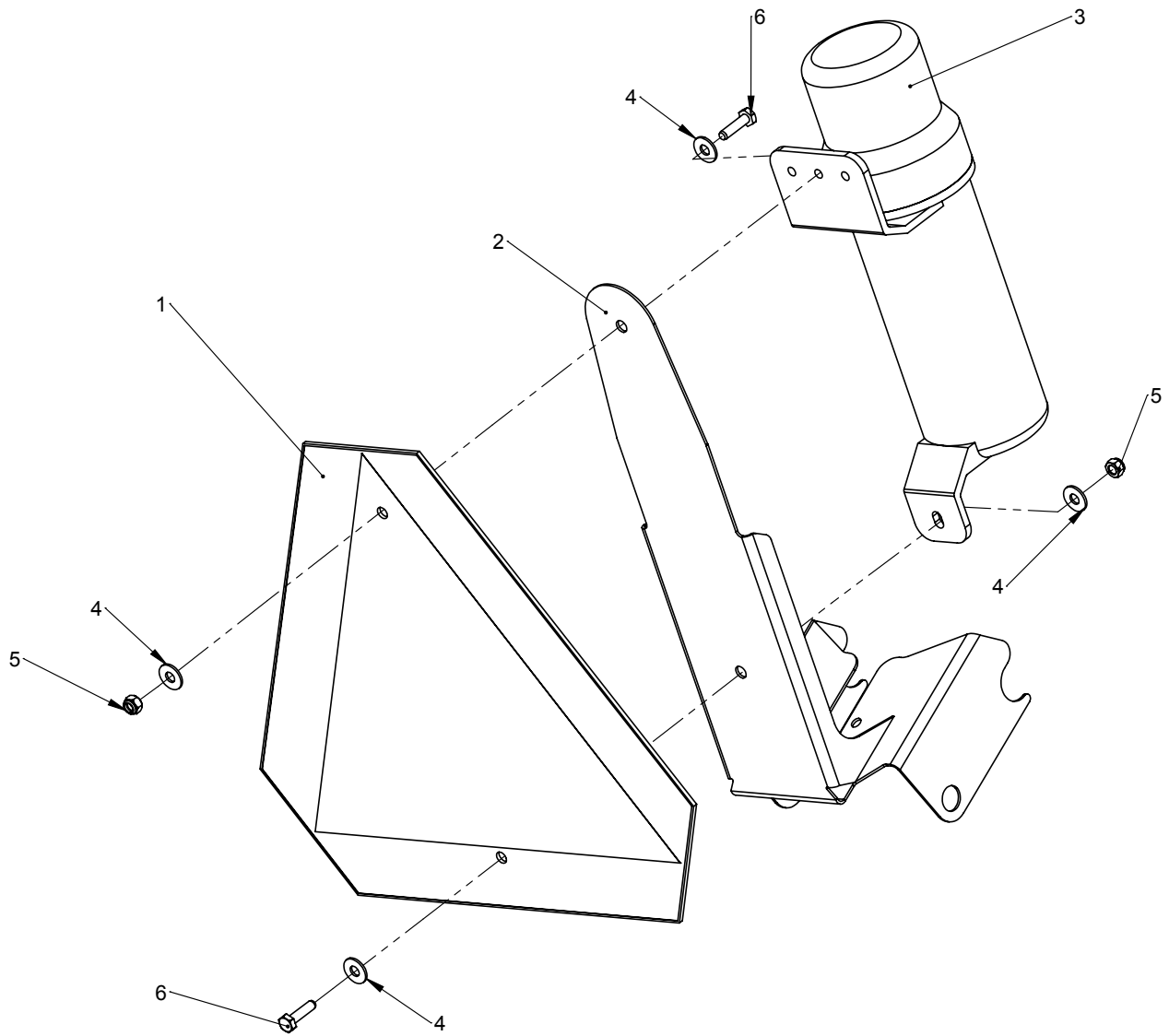
Ref#	Description	Part#
1	26x Outer Guard	705081
2	Guard Cradle	702696
3	Guard Mounting Plate	702704
4	3/8-16 x 1.25 HH Bolt Zinc	000275
5	3/8 USS Flat Washer	001035
6	3/8-16 Nylon Lock Nut	003000

Tine Rotor and Hardware



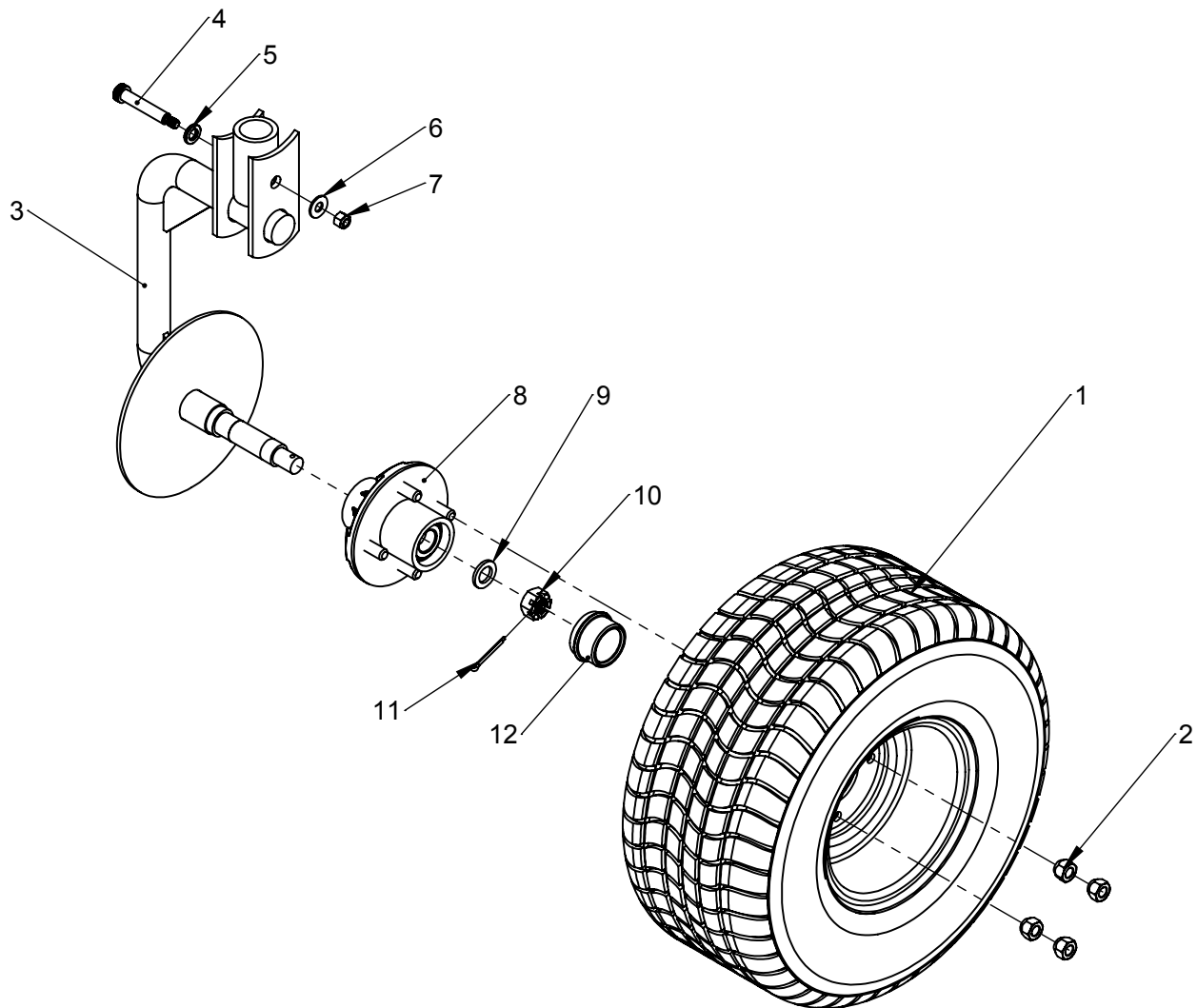
Ref#	Description	Part#
1	Wrap Guard	705025
2	3/8-16 x 2" Carriage Bolt w/short square	000158
3	Upper Tedder Arm Support	703962
4a	Flat Bar Grey Tine Cw	703905
4b	Flat Bar Black Tine Ccw	703903
5	1/2" Nylon Locknut	000950
6	Flat Bar Tine Washer	703904
7	1/2-13 x 2 Gr. 8 Hex Head Bolt	000453
8	3/8-16 Nylon Lock Nut	003000
9	Lower Tedder Arm Support	703961
10	7/16-14 x 1-1/2 SER Hex Head Bolt	000725
11	9/16" Serrated Conical Washer	705000
12	Flat Bar Tine Arm	703902
13	6 Arm Tine Plate	703900

OPS Canister



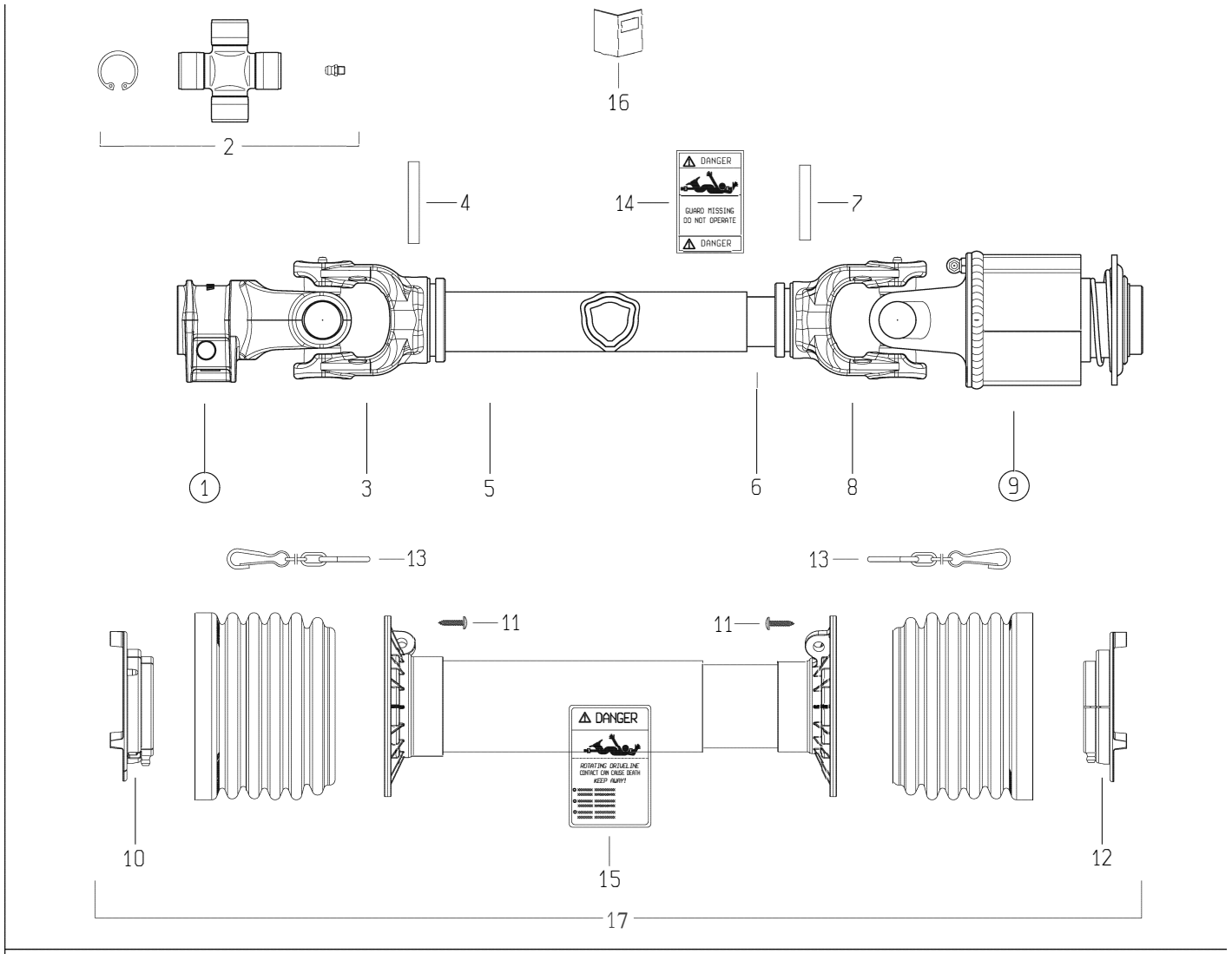
Ref#	Description	Part#
1	Fanny Flag	507166
2	Center Bolting Apparatus	705020
3	Operator's Manual Cylinder	503050
4	1/4 USS Flat Washer	001020
5	1/4-20 Nylon Lock Nut	003001
6	1/4-20 x 1 HH Bolt, Gr5	100148
7	Ops Manual (Not Shown)	705072

Spindle and Wheel Hardware



Ref#	Description	Part#
1	Tire and Wheel Assembly	500220
2	1/2" Cone Wheel Nut	101458
3	Spindle	703878
4	3/8" Shoulder x 2-1/2" Shoulder Length x 5/16"-18	703772
5	1/2 Split Lock Washer	000840
6	3/8 USS Flat Washer	001035
7	3/8-16 Nylon Lock Nut	003000
8	Complete Hub	501199
9	3/4 x 1 1/4 Machinery Bushing 10 Ga	400146
10	3/4"-16 SAE J995 Grade 2 Plain Finish Steel Slotted Hex Nut	508229
11	Cotter Pin, 5/32 x 1 1/2	001215
12	Dust Cap	500209

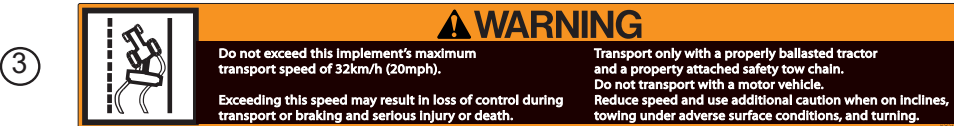
PTO Shaft



Ref#	Description	Part#
1	Yoke #4/S4 1-3/8"Z6 Shrouded Pin (007)	500427
2	Cross Kit S4-G4 27X74.6 Cap Zerk	500428
3	Tube Yoke #4-G4 Outer (43.5)	500429
4	Flexible Roll Pin 8X60 Din1481	500430
5	Cardan Tube Outer 12508 L=1270	500431
6	Cardan Tube Inner 12507 L=1270	500432
7	Flexible Roll Pin 8X55 Din1481	500433
8	Tube Yoke #4-G4 Inner (36.0)	500434
9	Ratchet Clutch Assembly	500435

Ref#	Description	Part#
10	Shield Support Outer G3-G4	500436
11	Screw 4.8X22 Self Tap Zinc	500417
12	Shield Support Inner G3-G4	500437
13	Shield Chain W/S-Hook L=500Mm	500420
14	Label - Danger - Outer Drive Tube	500421
15	Label - Danger - Outer Shield Tube	500422
16	Instruction Booklet	500423
19	Complete Shield Kit	500440
	Complete PTO	701034

Decals



Ref#	Description	Part#	Qty
1	Pequea Decal X Series	705085	1
2	46X Decal	705086	2
3	Warning, Speed	903124	1
4	Warning, Thrown Objects	903106	2
5	Warning, Prevent Entanglement	903123	2
6	Warning, Hydraulic Pressure	903114	1
7	Amber Retroreflective Decal	903121	1

Ref#	Description	Part#	Qty
8	Red Retroreflective Decal	903112	2
9	Caution, General Information	903103	1
10	Caution, 540 PTO	903107	1
11	Warning, PTO Shaft Entanglement	903102	1
12	Tire Pressure Limit Warning	701429	2
	Complete Decal Kit, HT46X	705071	1

